

FLOAT COLLECTION  
PENDANT

UL SPECIFICATION SHEET  
NORTH AMERICA



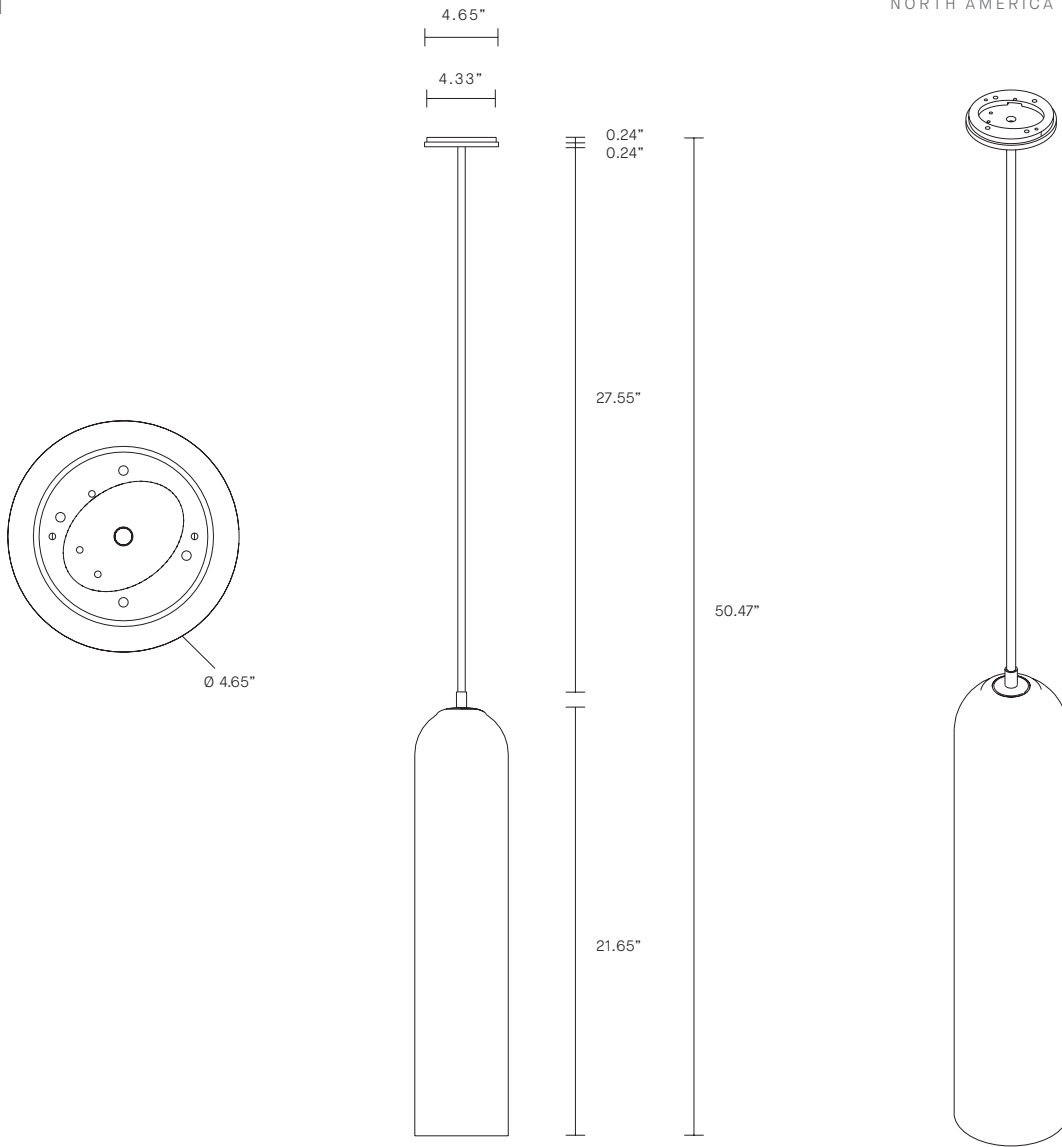
ARTICOLO

# FLOAT COLLECTION

## PENDANT

# UL SPECIFICATION SHEET

NORTH AMERICA



FL\_P\_S\_L\_18V4

### ABOUT FLOAT

The sleek and sophisticated Float is reminiscent of Hollywood glamour from yesteryear.

Float's elongated proportions, striking coloured glass and sweeping brass stem reflect a sense of luxurious refinement, while its simplicity of form adds a modern touch to the design. The balance of classic and contemporary influences, result in a graceful grandeur accentuated in the soaring cylindrical shade.

Float shades are removable for easy cleaning.

Float available in wall sconce and pendant.

### LEAD TIME

8 - 10 weeks

### LIGHT SOURCE

110V E12 (35W)  
Small Fancy Round

Dimmable

### INSTALLATION

Supplied with mounting plate to fit 4.0/3.5 Jbox

### WEIGHT

9.5lb

### FITTING FINISHES

Brass (cover)

Mid Bronze

Articolo Black

Matte White

Satin Nickel

### SHADE COMBINATIONS

Snow

Clear

Grey

Drunken emerald (cover)

Smoke