

# INDI COLLECTION

LARGE PENDANT

UL SPECIFICATION SHEET

NORTH AMERICA



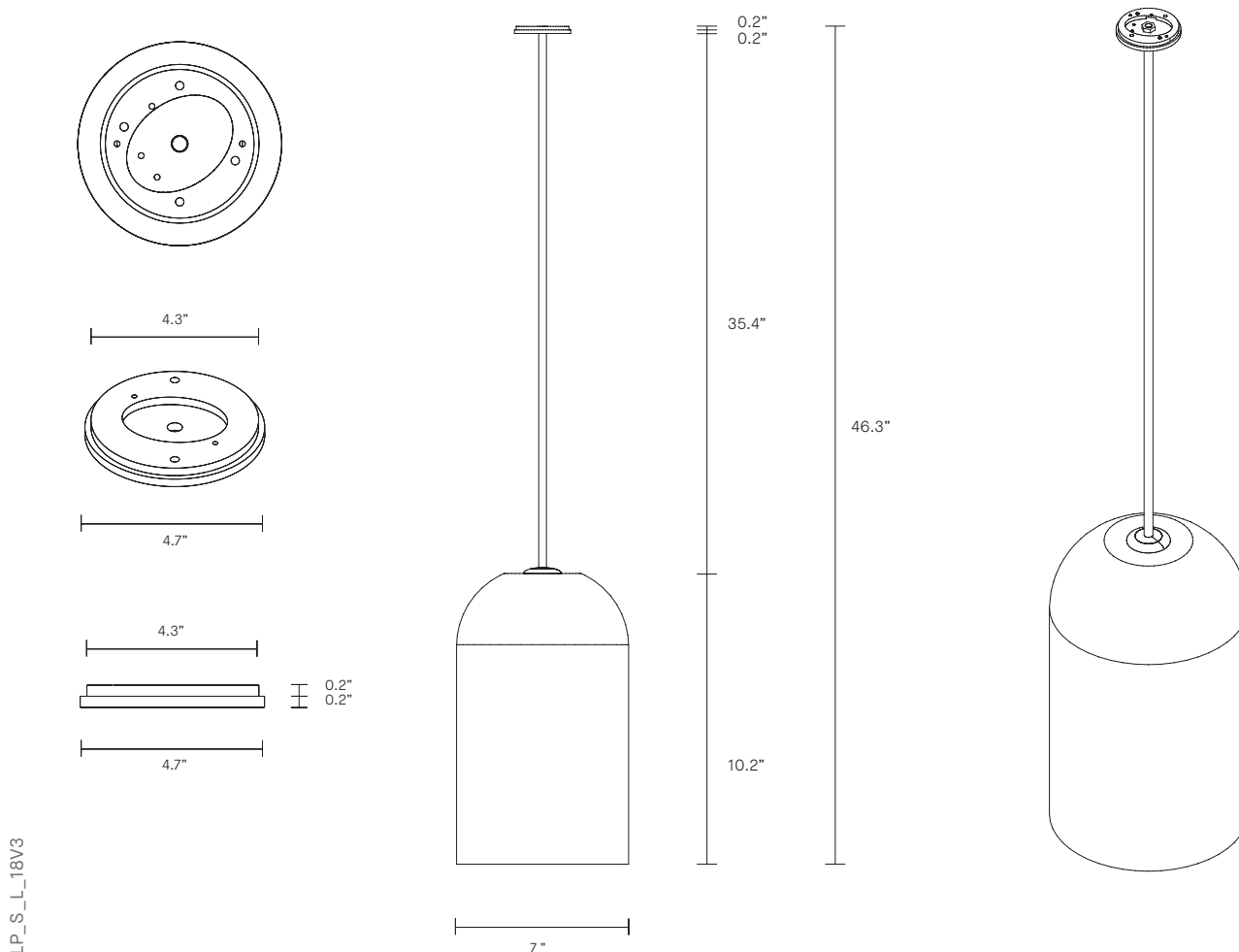
ARTICOLO

# INDI COLLECTION

## LARGE PENDANT

# UL SPECIFICATION SHEET

NORTH AMERICA



IN\_LP\_S\_L\_18V3

### ABOUT INDI

A relaxed yet striking design, the handcrafted Indi collection embodies the beauty of black with pared back simplicity

Honest materials unite with detailed craftsmanship, each Indi shade is individually woven by skilled artisan hands.

Indi shade is removable for easy cleaning.

Indi available in wall sconce, pendant, table lamp, floor lamp.

### LEAD TIME

8 - 10 weeks

### LIGHT SOURCE

110V E12 Small Fancy Round (35W)

Dimmable

### INSTALLATION

Supplied with mounting plate to fit 4.0/3.5 Jbox

### WEIGHT

21lb

### FITTING FINISHES

Articolo Black (cover)

Matte White

Brass

Mid Bronze

Satin Nickel

### SHADE COMBINATIONS

Black and Natural weave on clear glass shade (cover)

Black weave on clear glass shade

Black weave on smoke glass shade