

SLAB COLLECTION
PENDANT

UL SPECIFICATION SHEET
NORTH AMERICA



ARTICOLO

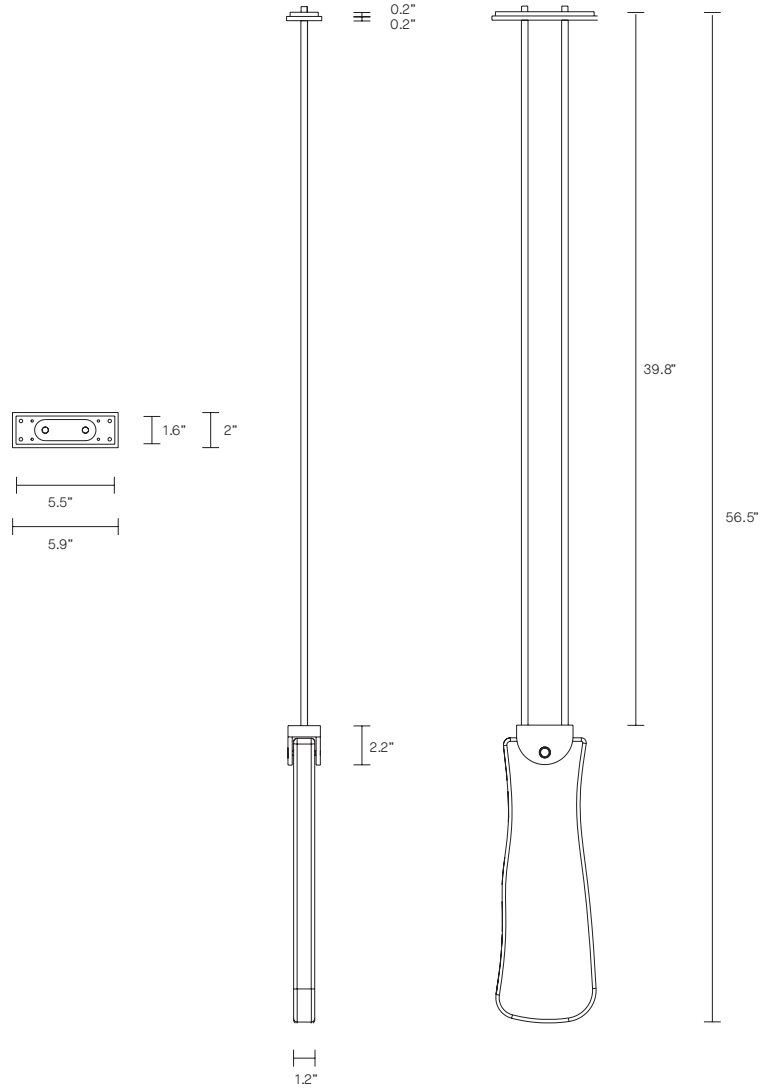
SLAB COLLECTION

PENDANT

UL SPECIFICATION SHEET

NORTH AMERICA

SL_P_L_18V3



ABOUT SLAB

Slab is a lighting design 12 months in the making. Exploring the artisanal quality of mouth-blown glass to dramatic effect, each sculptural piece is distinguished by its unpredictable, elongated organic form.

Available as both Pendant and Wall Sconce, the striking light has been imagined in clear glass with the addition of striking jewel tones, or in Articolo's signature 'effervescent' mouth-blown finish known as Fizi.

LEAD TIME

8 - 10 weeks

LIGHT SOURCE

24V 1.8W LED Strip
3000K

Driver supplied
Hafele, LED driver
Constant Voltage 24V

WEIGHT

11.5lb

FITTING FINISH

Brass (cover)
Articolo Black
Mid Bronze
Matte White
Satin Nickel

SHADE COMBINATIONS

Fizi
Grey
Ocean
Drunken Emerald (cover)