

DUO COLLECTION
TRILOGY PENDANT

SPECIFICATION SHEET
AUSTRALIA / INTERNATIONAL



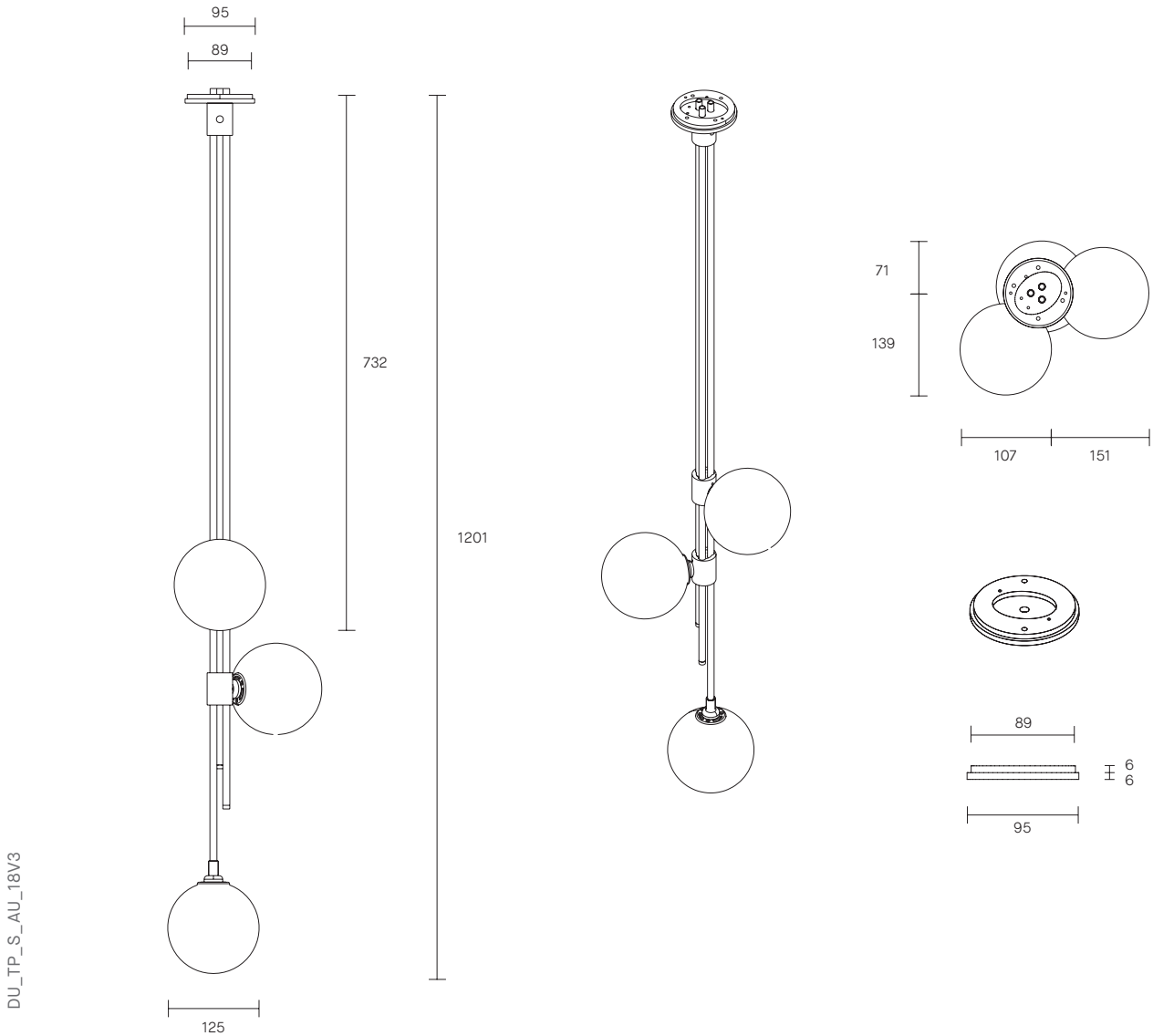
ARTICOLO

DUO COLLECTION

TRILOGY PENDANT

SPECIFICATION SHEET

AUSTRALIA / INTERNATIONAL



DU_TP_S_AU_18V3

ABOUT DUO

The Duo's simple yet elegant shape draws the eye to its unique materiality, demonstrating the fluidity of form in mouth-blown glass through a compelling design.

Duo's understated and restrained refinement responds admirably to a range of materials palettes suitable for both residential and commercial interiors. Established by the exploration of tone found in mouth blown glass Duo has been redefined in Articolo's signature drunken emerald, available in both Wall Sconce and Pendant.

LEAD TIME

6 -8 weeks

LIGHT SOURCE

3 x12V, G4 2W LED bipin
2700K

INSTALLATION

Supplied with external driver

Requires driver/transformer
installation

Dimmable upon request

DIMENSIONS

Variations to rod length can
be specified at time of order
placement

WEIGHT

8.5kg

FITTING FINISH

Brass (cover)

Mid Bronze

Satin Nickel