

SCANDAL COLLECTION  
SHORT WALL SCONCE

UL SPECIFICATION SHEET  
NORTH AMERICA



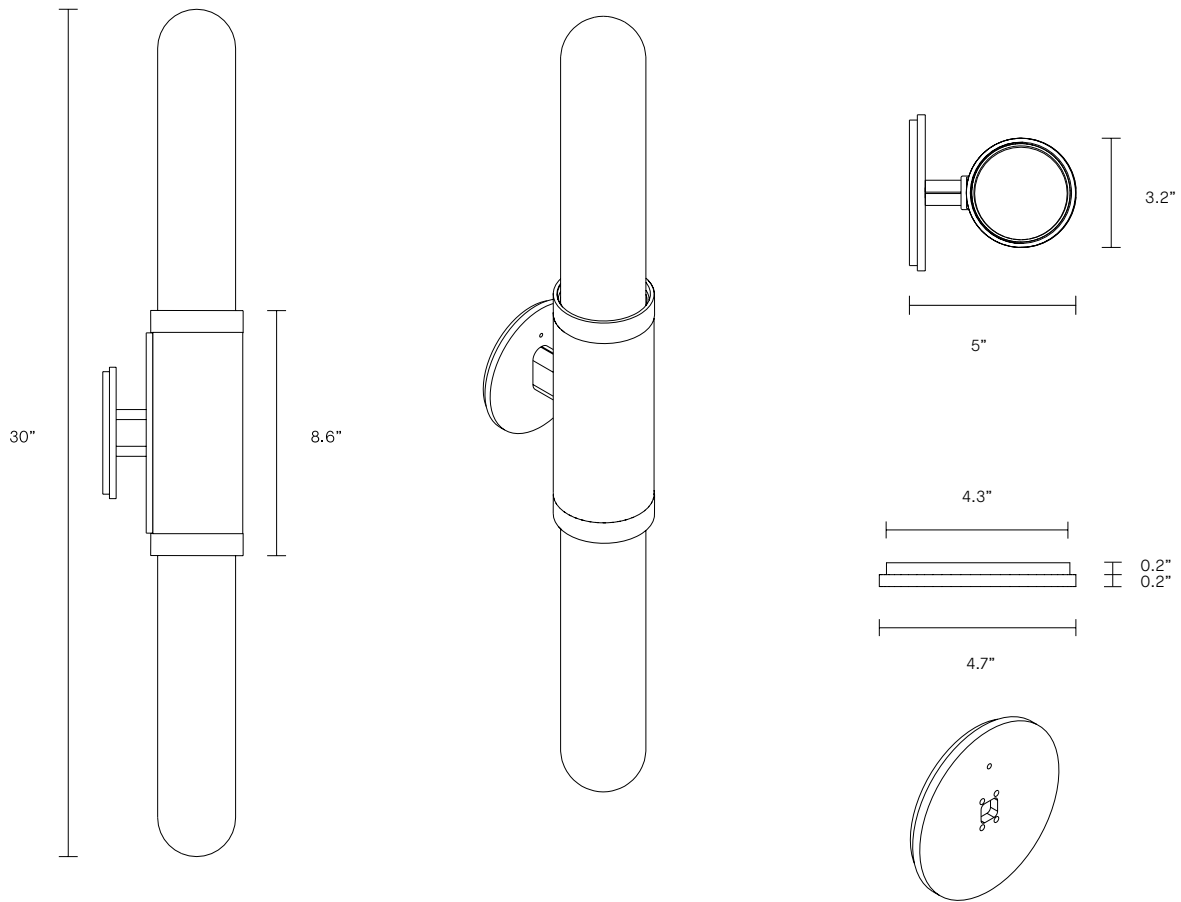
ARTICOLO

# SCANDAL COLLECTION

## SHORT WALL SCONCE

## UL SPECIFICATION SHEET

NORTH AMERICA



SA\_WSS\_S\_L\_19V1

### ABOUT SCANDAL

Scandal is a collection of Pendants and Wall Sconces that casts a slim and finely considered silhouette.

Notable for its barrel-like cuff and inlaid with exquisite Antique Brass Mesh or Latte Leather, Scandal's elongated proportions are capped end-to-end by rounded glass that conceals the light source, exemplifying the quiet brilliance of artisanal glass and metalwork.

### LEAD TIME

8 - 10 weeks

### LIGHT SOURCE

2 x 12V 7.5W LED MR16 GU5.3 .  
700 Lumens Total

Supplied with external driver  
(Hatch RS12-15M-LED  
2.25x1.25x0.75)

Dimmable (Luxtron/Diva/CL)

### INSTALLATION

Supplied with mounting plate to  
fit 4.0/3.5 Jbox

### WEIGHT

11 lb

### FITTING FINISHES

Brass (cover)  
Mid Bronze  
Satin Nickel

### INLAY

Antique Brass Mesh (cover)  
Latte Leather

### SHADE COMBINATIONS

White Frost  
Clear Fluted (cover)