

SCANDAL COLLECTION

SHORT WALL SCONCE

SPECIFICATION SHEET

AUSTRALIA / INTERNATIONAL



ARTICOLO

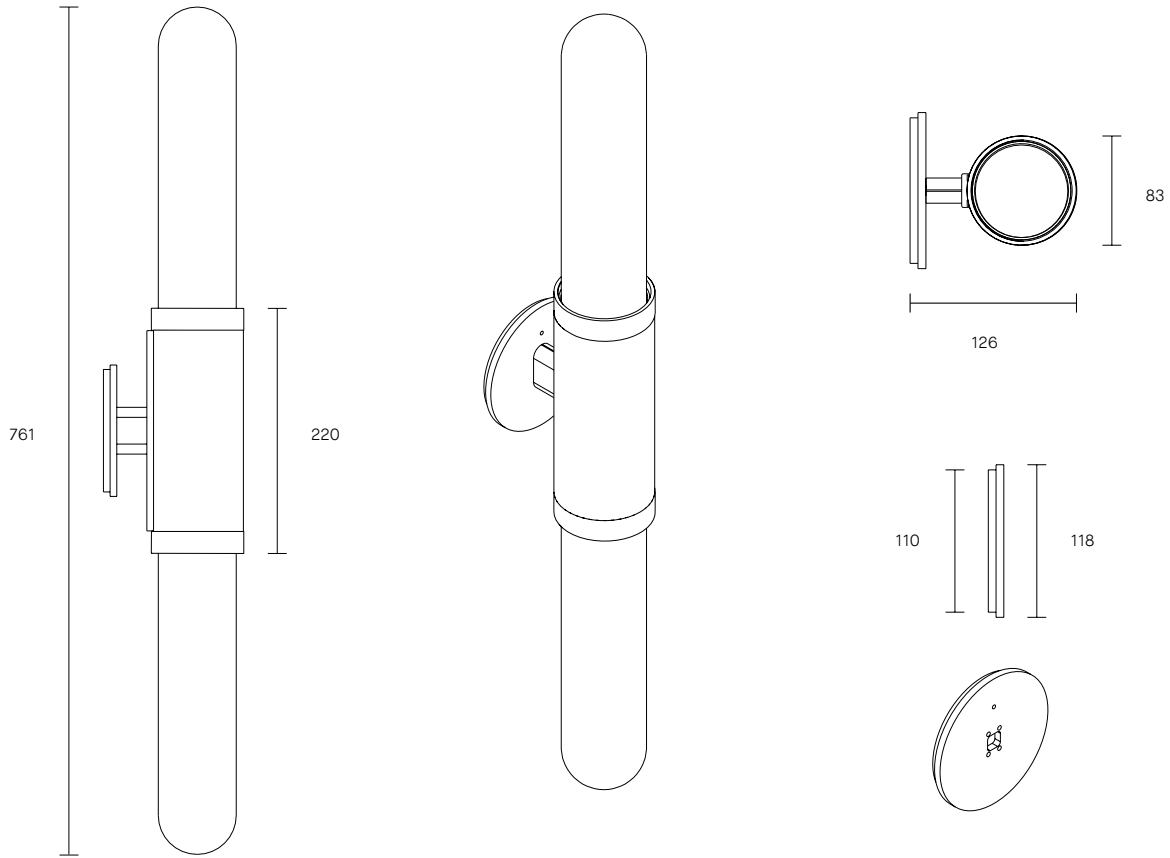
SCANDAL COLLECTION

SHORT WALL SCONCE

SPECIFICATION SHEET

AUSTRALIA / INTERNATIONAL

SA_WSS_S_AU_19V1



ABOUT SCANDAL

Scandal is a collection of Pendants and Wall Sconces that casts a slim and finely considered silhouette.

Notable for its barrel-like cuff and inlaid with exquisite Antique Brass Mesh or Latte Leather, Scandal's elongated proportions are capped end-to-end by rounded glass that conceals the light source, exemplifying the quiet brilliance of artisanal glass and metalwork.

LEAD TIME

6 - 8 weeks

LIGHT SOURCE

2 x 12V 7.5W LED MR16 GU5.3 .
700 Lumens Total

INSTALLATION

Supplied with external driver

WEIGHT

5 kg

FITTING FINISHES

Brass (cover)

Mid Bronze

Satin Nickel

INLAY

Antique Brass Mesh

Latte Leather (cover)

SHADE COMBINATIONS

White Frost

Clear Fluted (cover)