



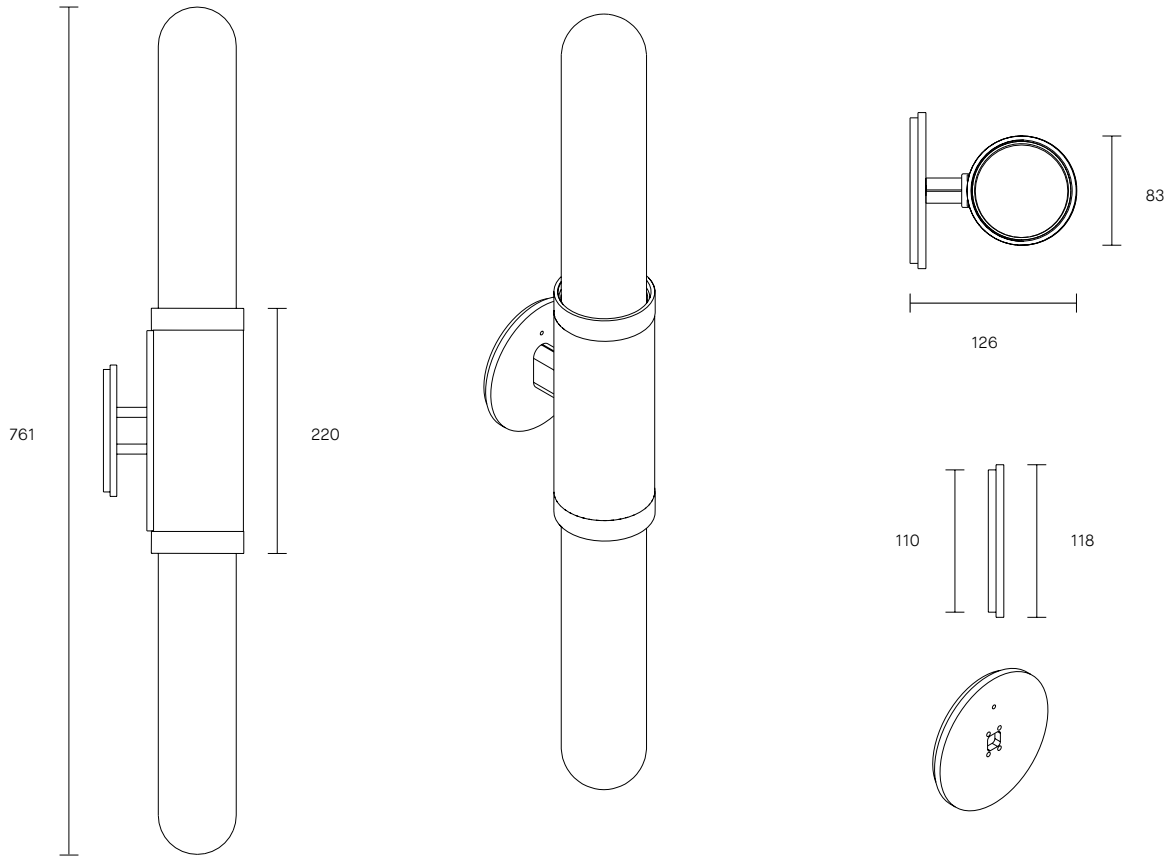
# SCANDAL COLLECTION

## SHORT WALL SCONCE

# SPECIFICATION SHEET

AUSTRALIA / INTERNATIONAL

SA\_WSS\_S\_AU\_19V1



### ABOUT SCANDAL

Scandal is a collection of Pendants and Wall Sconces that casts a slim and finely considered silhouette.

Notable for its barrel-like cuff and inlaid with exquisite Antique Brass Mesh or Latte Leather, Scandal's elongated proportions are capped end-to-end by rounded glass that conceals the light source, exemplifying the quiet brilliance of artisanal glass and metalwork.

### LEAD TIME

6 - 8 weeks

### LIGHT SOURCE

2 x 12V 7.5W LED MR16 GU5.3 .  
700 Lumens Total

### INSTALLATION

Supplied with external driver

### WEIGHT

5 kg

### FITTING FINISHES

Brass (cover)  
Mid Bronze  
Satin Nickel

### INLAY

Antique Brass Mesh  
Latte Leather (cover)

### SHADE COMBINATIONS

White Frost (cover)  
Clear Fluted