

SCANDAL COLLECTION
SHORT WALL SCONCE

UL SPECIFICATION SHEET
NORTH AMERICA



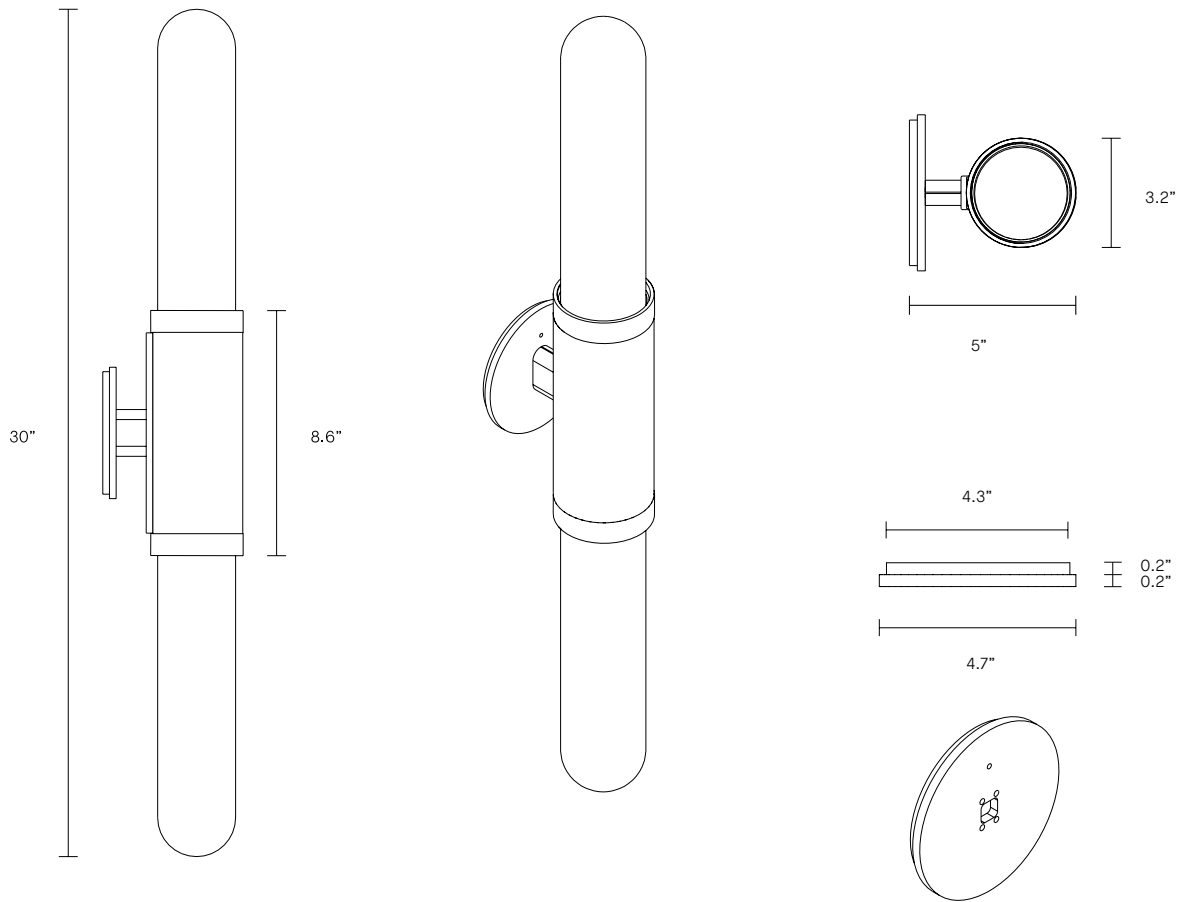
ARTICOLO

SCANDAL COLLECTION

SHORT WALL SCONCE

UL SPECIFICATION SHEET

NORTH AMERICA



SA_WSS_S_L_19V1

ABOUT SCANDAL

Scandal is a collection of Pendants and Wall Sconces that casts a slim and finely considered silhouette.

Notable for its barrel-like cuff and inlaid with exquisite Antique Brass Mesh or Latte Leather, Scandal's elongated proportions are capped end-to-end by rounded glass that conceals the light source, exemplifying the quiet brilliance of artisanal glass and metalwork.

LEAD TIME

8 - 10 weeks

LIGHT SOURCE

2 x 12V 7.5W LED MR16 GU5.3 .
700 Lumens Total

Supplied with external driver
(Hatch RS12-15M-LED
2.25x1.25x0.75)

Dimmable (Luxtron/Diva/CL)

INSTALLATION

Supplied with mounting plate to
fit 4.0/3.5 Jbox

WEIGHT

11 lb

FITTING FINISHES

Brass (cover)
Mid Bronze
Satin Nickel

INLAY

Antique Brass Mesh
Latte Leather (cover)

SHADE COMBINATIONS

White Frost (cover)
Clear Fluted