

SCANDAL COLLECTION

TALL WALL SCONCE

UL SPECIFICATION SHEET

NORTH AMERICA



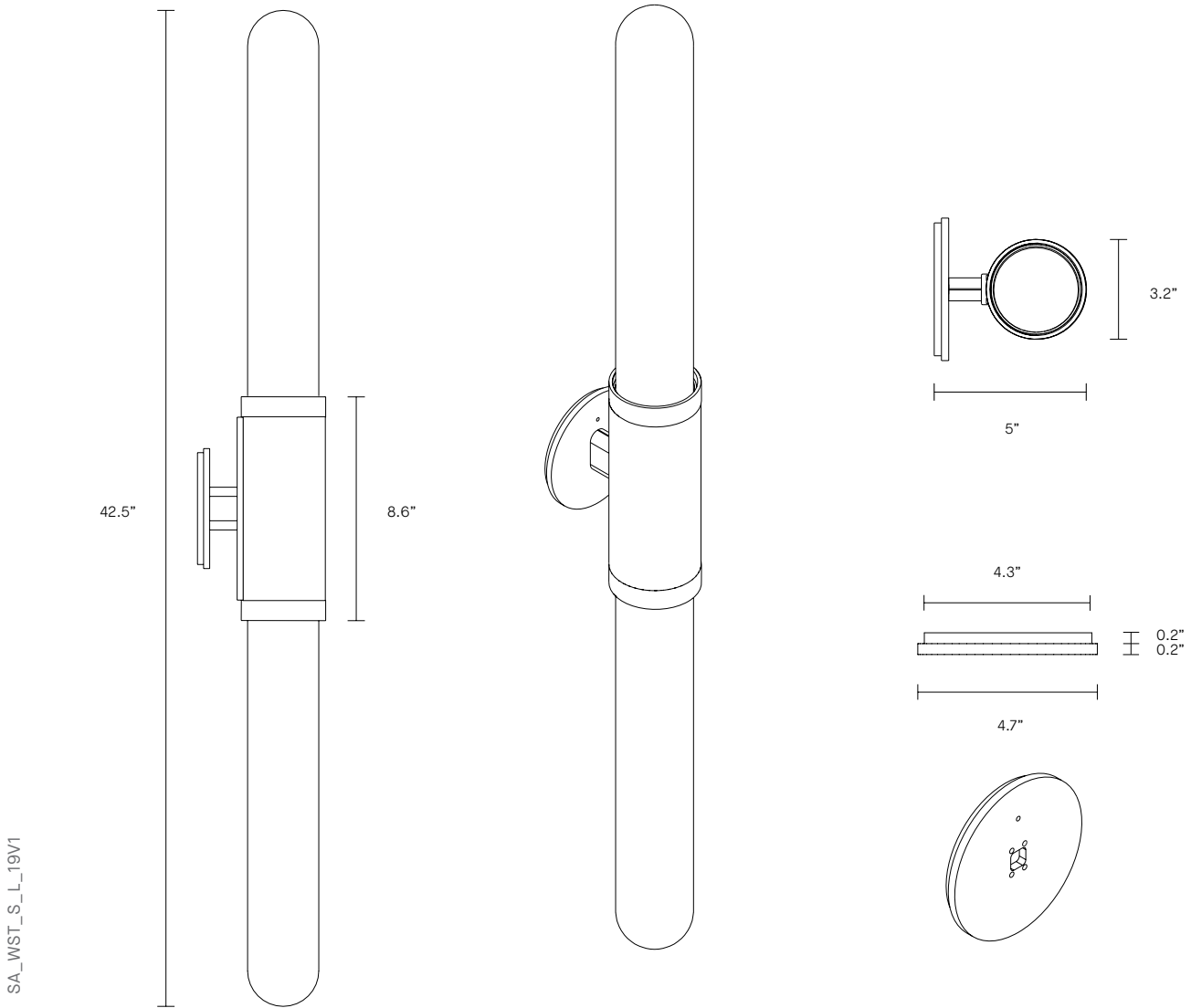
ARTICOLO

SCANDAL COLLECTION

TALL WALL SCONCE

UL SPECIFICATION SHEET

NORTH AMERICA



ABOUT SCANDAL

Scandal is a collection of Pendants and Wall Sconces that casts a slim and finely considered silhouette.

Notable for its barrel-like cuff and inlaid with exquisite brass mesh hand-woven in Paris,

Scandal's elongated proportions are capped end-to-end by rounded glass that conceals the light source, exemplifying the quiet brilliance of artisanal glass and metalwork.

LEAD TIME

8 - 10 weeks

LIGHT SOURCE

2 x 12V 5W LED MR16 GU5.3
345 Lumens

Supplied with external driver
(Hatch RS12-15M-LED
2.25x1.25x0.75)

Dimmable (Luxtron/Diva/CL)

INSTALLATION

Supplied with mounting plate to
fit 4.0/3.5 Jbox

WEIGHT

11 lb

FITTING FINISHES

Brass (cover)
Mid Bronze
Satin Nickel

INLAY

Bronze Mesh (cover)
Brass Mesh
Latte Leather

SHADE COMBINATIONS

White Frost (cover)
Clear Fluted